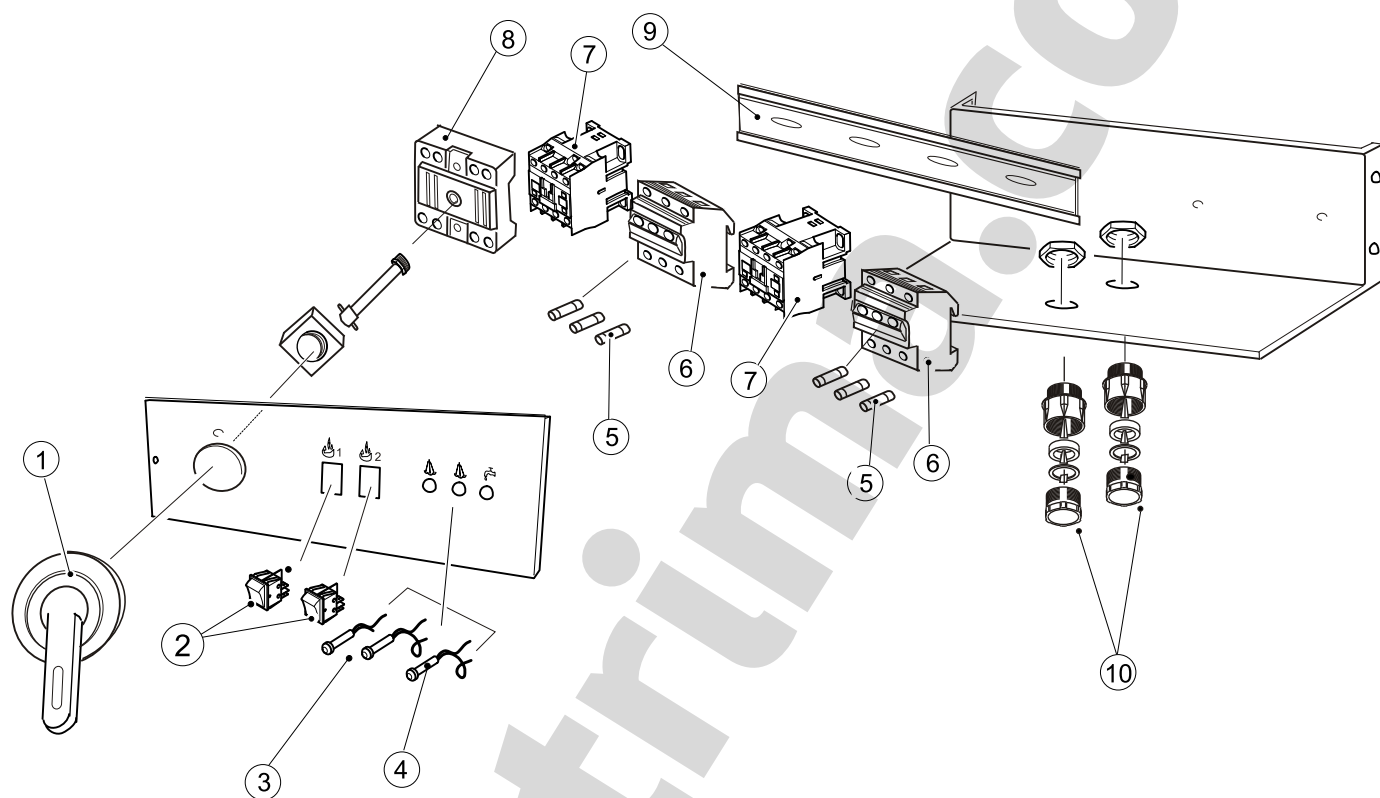
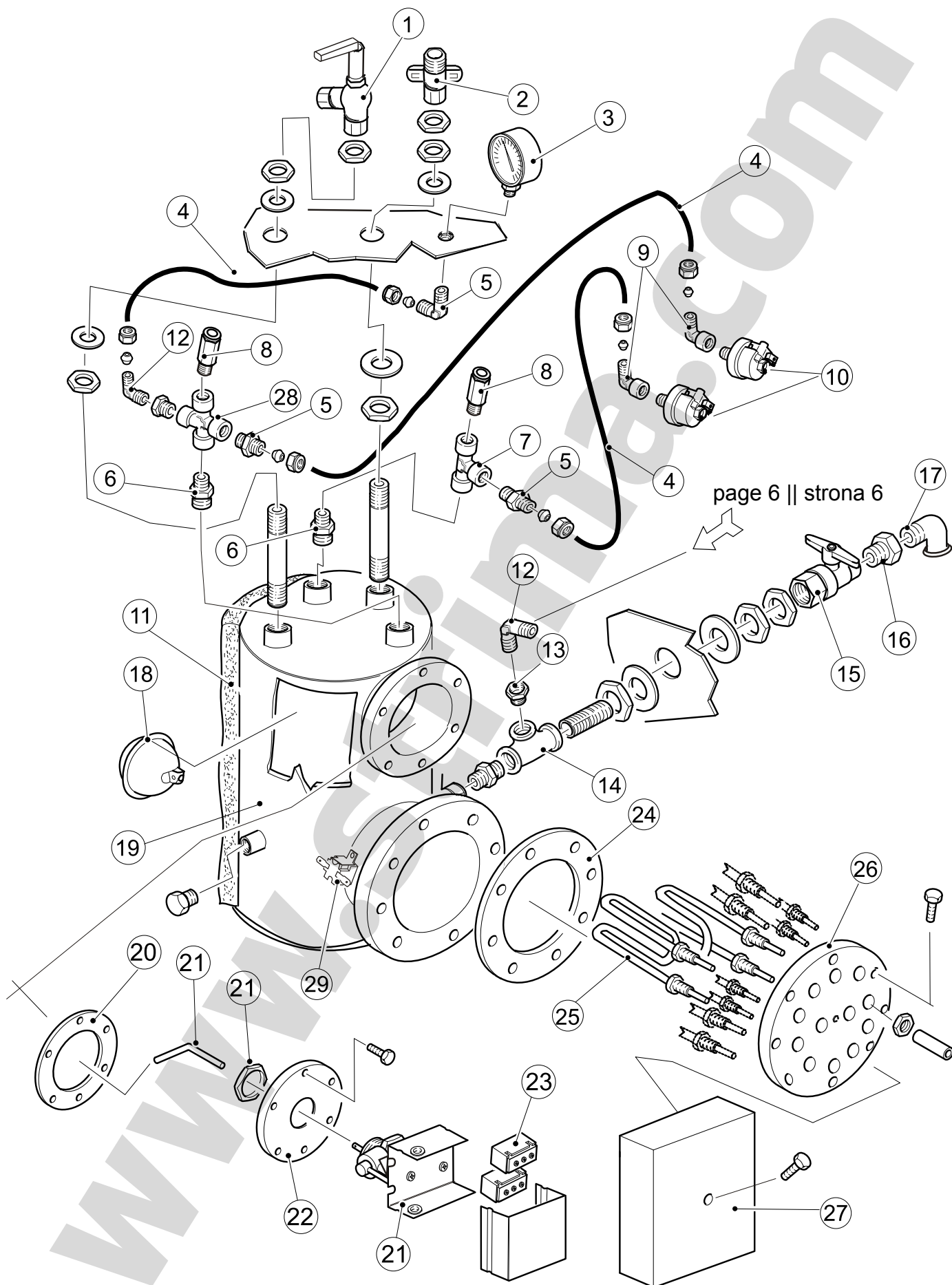


POS.	Q.TY	CODE	DESCRIPTION
1	1		Support
2	1		Top metal cover
3	1		Switchboard
4	1		Ring for wire
5	1		Back panel
6	2		Side panel
7	1		Front panel
8	1		Frame base



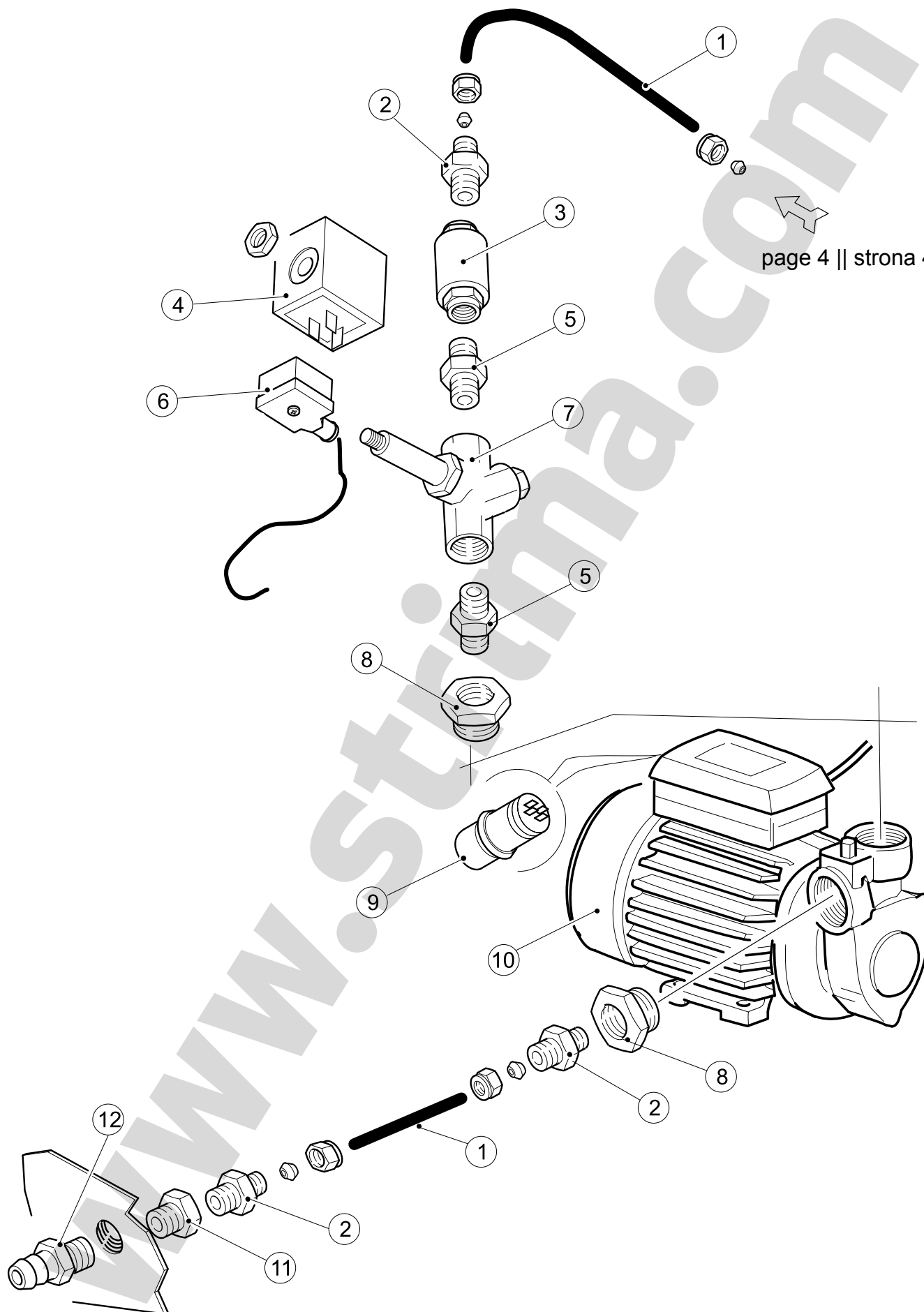
POS.	Q.TY	CODE	DESCRIPTION
1	1	21090	Handle
2	2		Luminous switches 16 A
3	2		Green pilot lamps
4	1		Yellow pilot lamp
5	6		Fuses
6	2		Fuseholders
7	2	21088	Remote control switches
8	1	21090	Main switch
9	1		Guide
10	2		Rings for wire



Saturno Max L51/36kW



POS.	Q.TY	CODE	DESCRIPTION
1	1	21907	Safety valve 1/2"
2	1		Tap 1/2"
3	1		Manometer 1/4"
4	3		Copper tube
5	2		Joints 3/8"
6	2		Connection joints 1/2"-3/8"
7	1		T-joints 3/8"
8	2	21093	Safety valve
9	2		Curved joint 1/4"
10	2	21014	Pressure switches
11	1		Boiler cover
12	3		Curved joint 3/8"
13	1		Reduction joint 1/2"-3/8"
14	1		T-joints 3/4"-1/2"
15	1		Exhaust tap
16	1		Reduction joint 3/4"-1/2"
17	1		Elbow joint 1/2"
18	1		Sphere for level regulator
19	1		Boiler
20	1		Gasket for flange of level regulator
21	1		Level regulator
22	1		Flange for level regulator
23	2		Micro switches for water level regulator
24	1	21006	Gasket for flange of resistance
25	6		Boiler resistances
26	1		Flange for resistances
27	1		Resistances protection casing
28	1		Y-joints 3/8"
29	1		Safety thermostat 170° C



page 4 || strona 4

Saturno Max L51/36kW



POS.	Q.TY	CODE	DESCRIPTION
1	2		Copper tube
2	3		Joint 3/8"
3	1		Check valve 3/8"
4	1		Coil
5	2	21008	Connection joints 3/8"
6	1		Connector
7	1	21008	Valve group
8	2		Reduction joints 1"-3/8"
9	1		Capacitor
10	1	21003	Electro-pump PQM-81
11	1		Reduction joints 1/2"-3/8"
12	1		Hose holder 1/2"